



PREDATOR 12 USER MANUAL

PREDATOR 12 STANDARD



PREDATOR 12 SCOUT



PREDATOR 12 USER MANUAL

Thank you for your purchase of a Wildcat sound moderator.

THE WILDCAT PREDATOR is our original over barrel moderator. The design allows the diffuser baffle to be swapped by an Authorised Retailer should you ever wear out the moderator core. Wildcat Predator sound moderators are fully strippable for cleaning and maintenance, this should not need to be done regularly. Wildcat Predator moderators are available in 2 different rear tube lengths and are proof tested for a variety of standard cartridges such as 223 rem, 22-250rem, 243 win, 6.5creedmoor and 308 win.

✓ Available ✗ Not available

Mod Bore Size	22	6mm/25cal	270			30				
Diffuser Colour										
Cartridges	22 hornet 222 Rem 223 Rem 22-250 Rem 224 Valkyrie 220 Swift	243 Win 6XC 6mm BR Norma 6mm Creedmoor 25-06Rem	6.5 Creedmoor 6.5x55se 260 Rem 6.5x47 Lapua	6.5 PRC	270 Win	270 WSM	7mm-08 Rem 7x57	7mm Rem Mag	308 Win 30-06 Springfield 300 AAC Blackout	300 Win Mag 300 PRC 300 WSM
Predator 12 STD	✓	✓	✓	✓	✓	✓	✓	✓	✓	✓▲
Predator 12 Scout	✓	✓	✓	✗	✓	✗	✓	✗	✓	✗

▲ Restricted magnum use only

FITTING

It is the Fitter's responsibility to ensure that the thread and calibre of moderator are suitable for the host firearm, together with correct assembly of the constituent parts on each fitment. Initial Fitment at an Authorised Retailer should also verify concentricity and alignment between the bore line of the firearm and moderator, together with appropriate clearance of the rear bushing to the barrel. The rear bush is supplied with a 18mm hole as standard. Replacement bushes can be supplied in 1mm increments to suit your specific barrel diameter if needed. The bush should be a minimum of 0.25mm larger than barrel diameter at the rear of the moderator when fitted.

After initial fitting the sound moderator should easily screw on the muzzle and should come to a sharp 'stop' having full, even contact with the thread shoulder. Do not overtighten when fitting hand tight is sufficient. Remember to continue to check moderator fitment regularly as you fire, as heat, pressure and vibration can cause them to work loose.



WARNING: A sound moderator which is loose or misaligned should never be shot. Incorrect use or fitting may result in damage to equipment and/or injury.

USE

This manual is designed to complement, not vary or replace instructions issued by the manufacturer of the firearm it is fitted to. Please observe all usual firearms safety precautions and wear suitable PPE. Although noise and recoil are reduced this does not make the firearm any less lethal. Do not fire within any closer proximity of any persons than you would normally and remember you are responsible for every shot you take.



WARNING: Never shoot unstable or sabot projectiles through the sound moderator.

During use your sound moderator will heat up. Do not overheat the moderator; allow it to cool between shot strings, removing it from the barrel will aid barrel cooling. Wildcat sound moderators are suitable for use with moderator covers. It is recommended to remove covers for more effective cooling between each series of shots. After use the moderator should be allowed to cool then removed from the firearm and stored in a manner that allows air to flow through and moisture to evaporate.

Whenever the moderator is used always ensure that it is in good condition, correctly assembled and properly mounted before firing. Your firearm should be zeroed once the sound moderator is initially fitted. Any change in point of impact is perfectly normal and should not impact ongoing accuracy once corrected.

MAINTENANCE

Wildcat Predator moderators are largely maintenance free. Periodic inspections should be done to check and maintain condition of the unit. Please note that if left for extended periods of time without maintenance, disassembly may be more difficult, you may wish to take it to an Authorised Retailer if further assistance is needed.

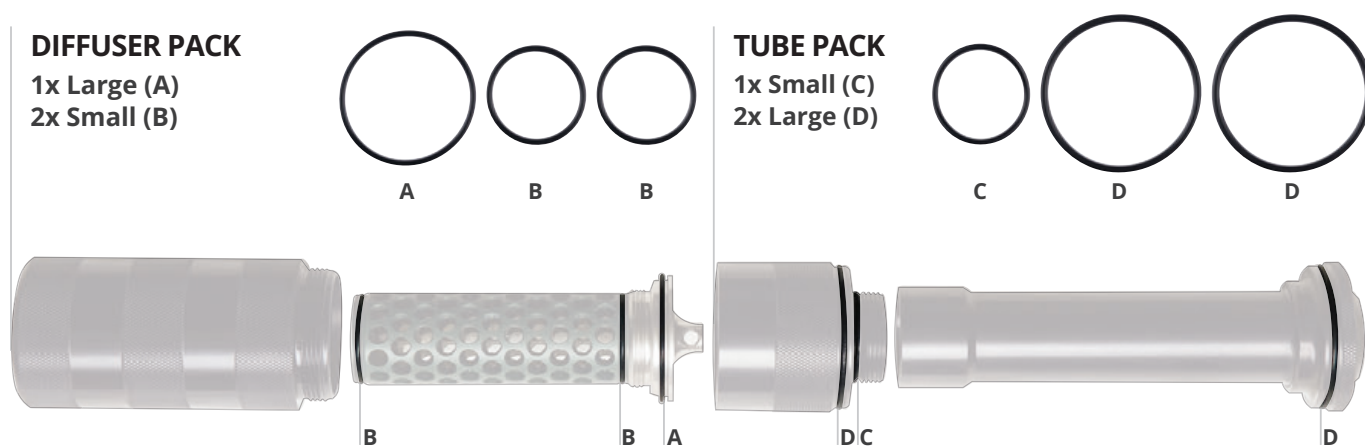


WARNING: Accumulated deposits inside sound moderators can contain toxic substances, so always use suitable PPE during maintenance.

Disassembly

1. First while holding the thread section unscrew the baffle stack.
2. Then insert a screwdriver through the holes on the stainless and unscrew the diffuser from the outer baffle. (Be careful not to lose the O-ring under the stainless blast protection)
3. While holding the thread section, unscrew the end nut and remove it from the outer tube.
4. Unscrew the rear bush from the end nut.
5. The outer tube and inner tube can now be separated from the thread section.

O-rings can be inspected and replaced as per the O-ring drawing below. Always ensure all O-rings are fitted and in the correct positions. Replacement O-ring kits can be purchased from your local Authorised Retailer.



Any loose impurities such as a natural build-up of carbon chips can be shaken out and brushed off where possible. If you wish to further clean the unit, an ultrasonic bath using warm water is adequate. DO NOT use any harsh chemicals they may damage the moderator. Afterward, allow parts to dry fully before re-assembly. A light coat of a water displacement oil can be used. You may clean threads and use a little grease to help lubricate and protect them.

Assembly

1. Screw the inner tube onto the thread section, then sleeve the outer tube over the innertube and seal together with the end nut.
2. Thread the rear bush back into the end nut.
3. Using a screwdriver through the holes in the stainless thread the diffuser back into the outer baffle tightening it down onto the O-ring.
4. While holding the thread section screw the assembled baffle stack on to the thread section.

WARRANTY

All **WILDCAT PREDATOR** sound moderators carry a warranty of 1 year against defects in materials or workmanship for the initial purchaser. Wildcat Sound Moderators accept no liability for damage or bodily injury caused by incorrectly used or fitted items. This warranty does not cover abused or neglected items. Abuse and neglect are defined as usage outside of the reasonable scope for which the product is intended, thus contributing to the accelerated and unreasonable premature wear of the sound moderator itself.

In the event of a warranty claim the sound moderator, proof of purchase and warranty card should be returned to an Authorised Retailer for initial inspection and assessment. Please include any information concerning the defect along with specifications of the ammunition and firearm.